

Product Specifications

PG48 Cardioid Dynamic Vocal Microphone

Overview

The PG48 Dynamic Vocal Microphone is a professional quality microphone designed to be used for spoken word and karaoke performance applications. With rugged durability and excellent sound, the PG48 comes with an on/off switch, swivel adapter, carrying pouch and choice of XLR cable, QTR (¼") cable or without cable.

Features

- Tailored frequency response is smooth and extended. Tuned specifically for vocal applications.
- Cardioid polar pattern picks up the most sound from in front of the microphone and some sound from the sides. Less susceptible to feedback in high volume settings.
- Dynamic cartridge has a simple, rugged coil. Handles extreme volume levels without distortion.
- Durable metal construction.
- On/off switch for onstage control.
- Steel mesh ball grille with integral "pop" filter reduces explosive breath sounds and wind noise.

Available Models

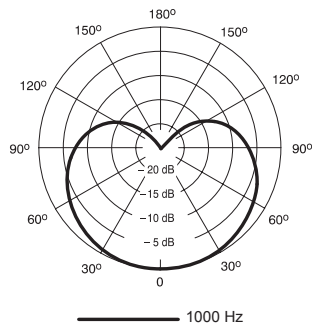
PG48-QTR	Includes a 15 ft (4.57m) XLR to 1/4" Cable, Microphone Clip, 5/8" to 3/8" Threaded Adapter, and a Storage Bag.
PG48-XLR	Includes a 15 ft (4.57m) XLR to XLR Cable, Microphone Clip, 5/8" to 3/8" Threaded Adapter, and a Storage Bag.
PG48-LC	Includes a Microphone Clip, 5/8" to 3/8" Threaded Adapter, and a Storage Bag.



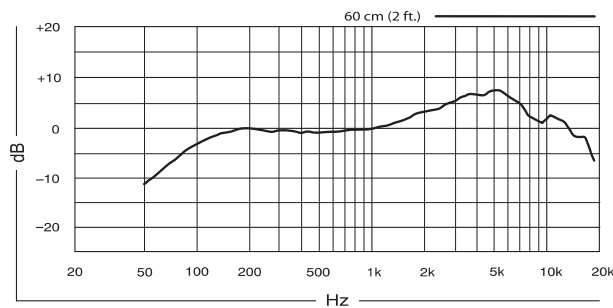
PG48

Specifications

Microphone Type	Dynamic (moving coil)
Polar Pattern	Cardioid (unidirectional)
Frequency Response	70 to 15,000 Hz
Polarity	Positive pressure on diaphragm produces positive voltage on pin 2 relative to pin 3 of microphone output connector
Output Impedance (at 1000 Hz)	600 ohms
Sensitivity (at 1000 Hz)	-52 dBV/Pa, (2.5 mV), 1 Pascal = 94 dB SPL
Electromagnetic Hum Sensitivity	22 dB equivalent SPL in a 1 millioersted field (60 Hz)
Connector	Three-pin professional audio connector (male XLR type)
Switch	Built-in On/Off switch
Environmental Conditions	This microphone operates over a temperature range of -29 to 57 degrees Celsius (-20 to 135 degrees Fahrenheit), and at a relative humidity of 0 to 95%.
Case	Die cast metal handle, black matte finish; hardened silver colored, spherical steel mesh grille
Weight	Net: 314 grams (11.1 oz) Packaged: 890 g (1 lb 15 oz)



Polar Pattern
Measured at 1000 Hz



Frequency Response

SHURE[®]
LEGENDARY
PERFORMANCE™